

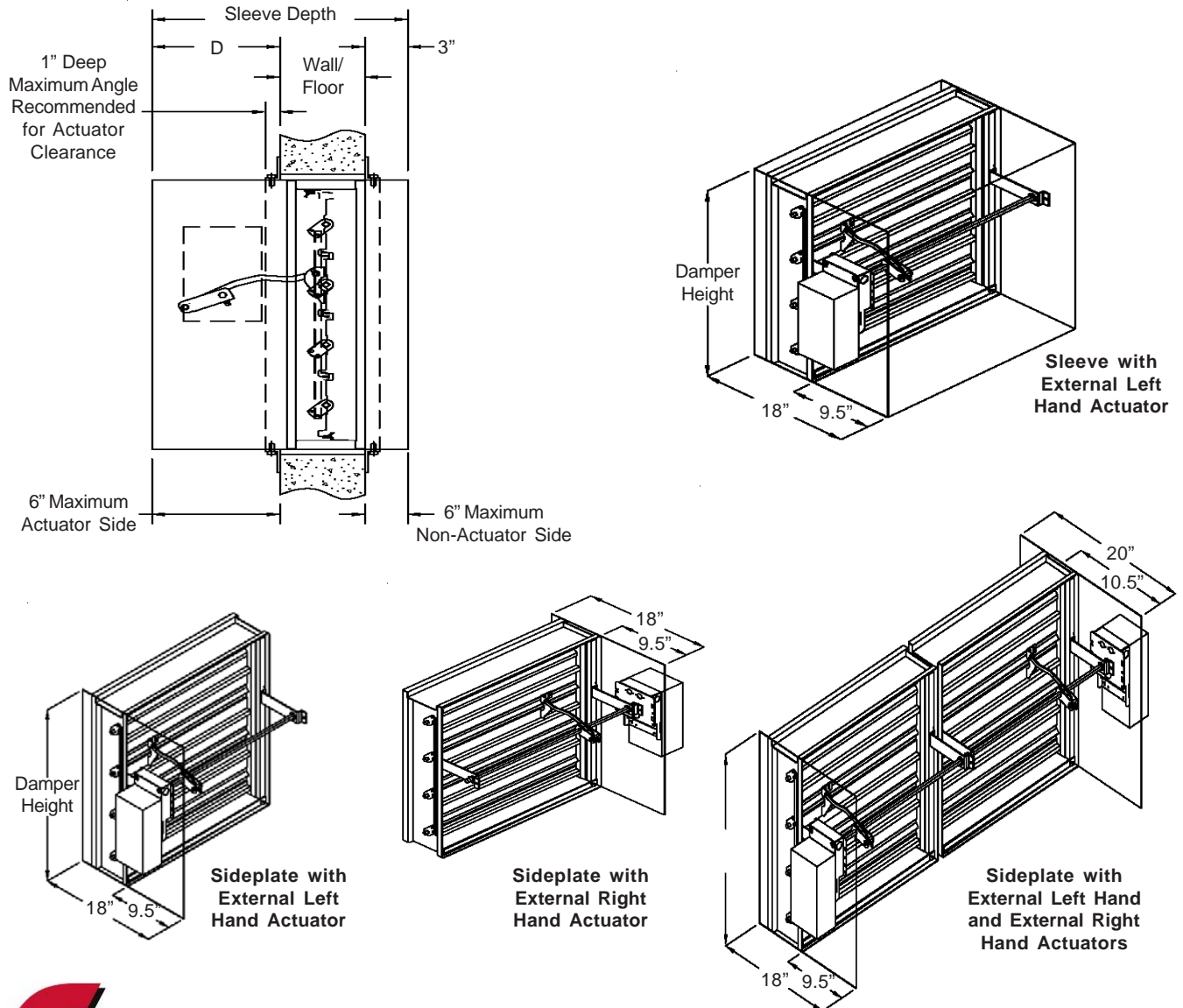
Notes

1. Sleeves may be factory provided or field provided, but are not required. Reference damper installation instruction for sleeve attachment procedure.
2. Large units that require multiple ship sections will be individually sleeved if sleeve is factory provided.
3. Units with externally mounted actuators require a factory supplied sleeve or sideplate.
4. The standard sleeve is 20-GA x 18" deep (dampers that exceed 84" in width or height require minimum 18-GA sleeve).
5. 10-GA, 12-GA, 14-GA, 16-GA, and 18-GA sleeves are available.
6. Sleeve depths through 48" are available.
7. Refer to Installation Instruction II-SG for sleeve attachment in the field.

Sleeve Depth Determination (for optional mounting in barrier)

The standard sleeve depth allows for an external actuator, 1" retaining angles on both sides of the wall, and 1.5" duct connections on both ends of the sleeve. Sleeve depth and "D" will increase by 1" if a factory-mounted smoke detector is required. A shorter sleeve may be provided and properly installed if internal actuators or one-side retaining angles are utilized, or if the duct connections on one or both ends of the damper are not required. Consult the factory for details.

Standard Sleeve Depth (18") = D (9") + wall/floor thickness (6") + non-actuator side distance (3").



This page intentionally left blank.